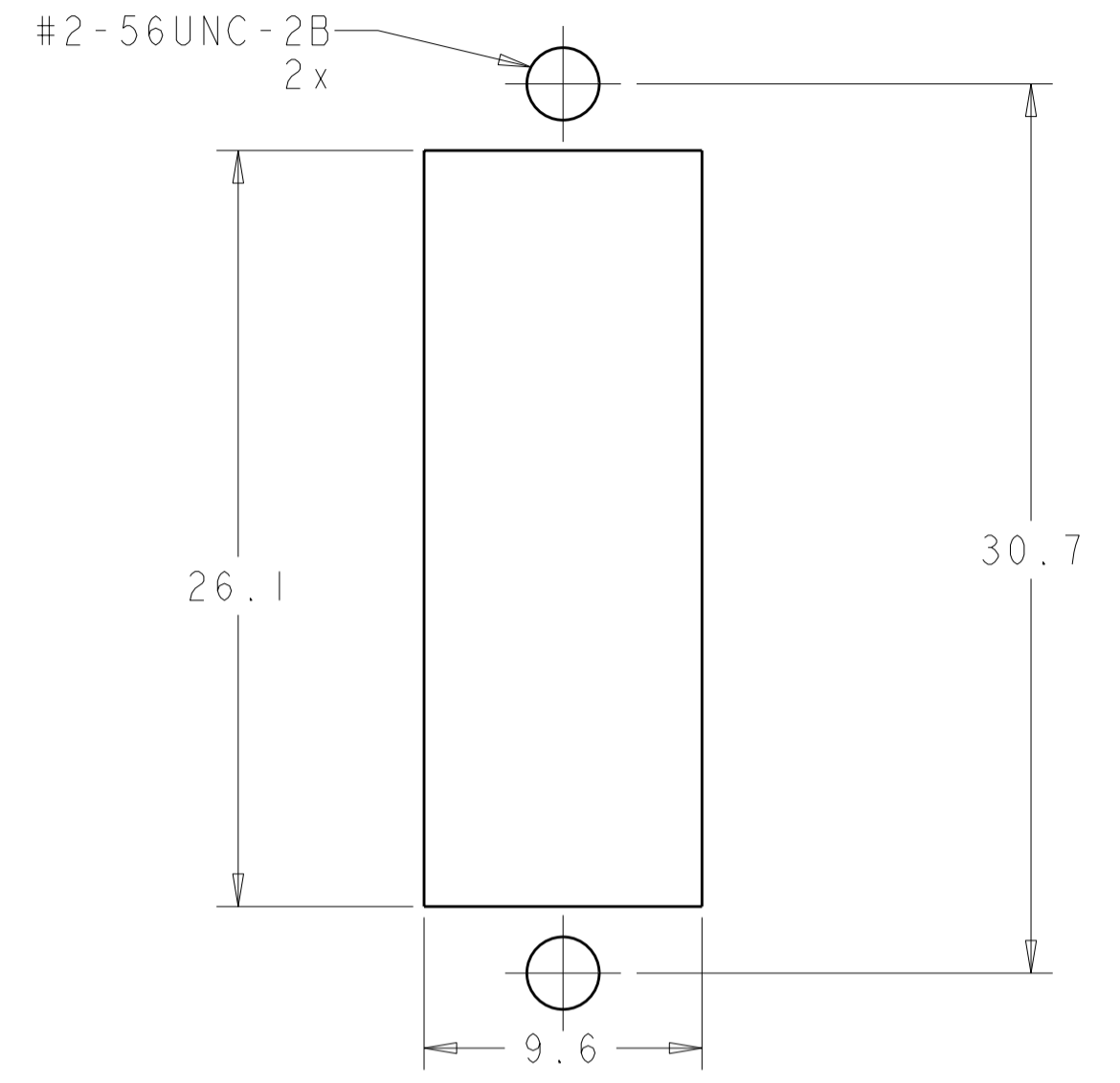
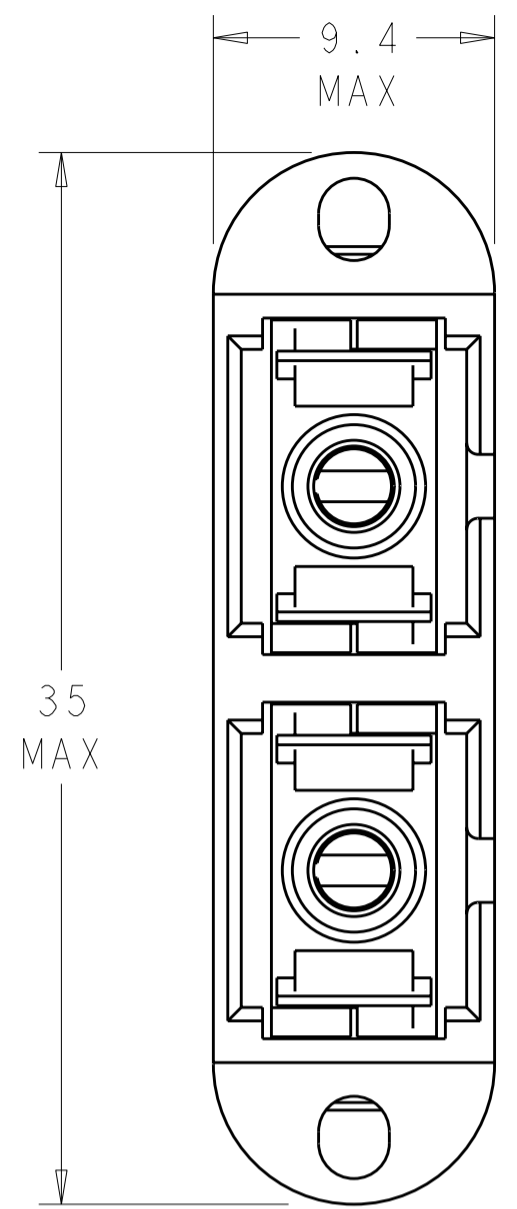
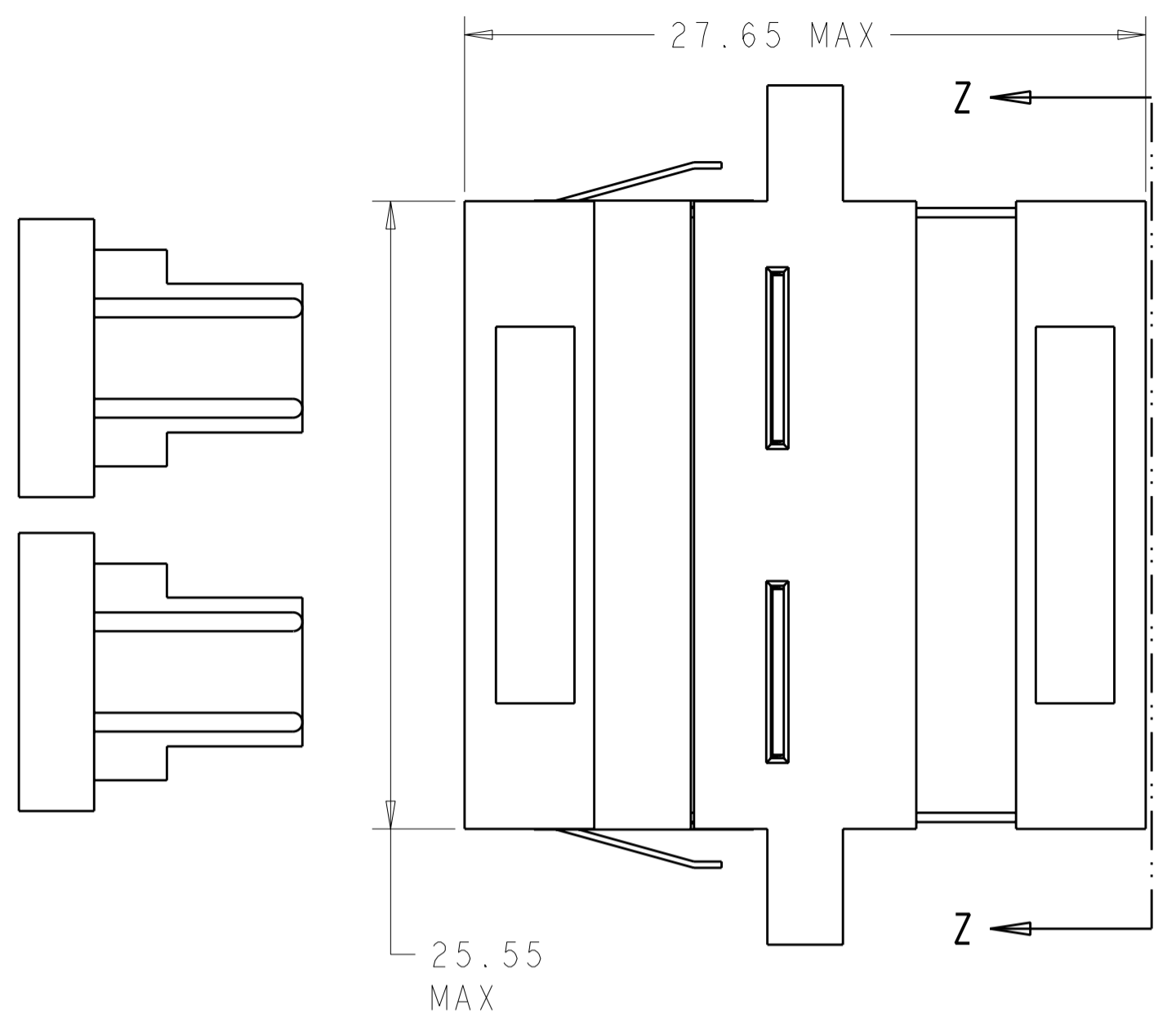
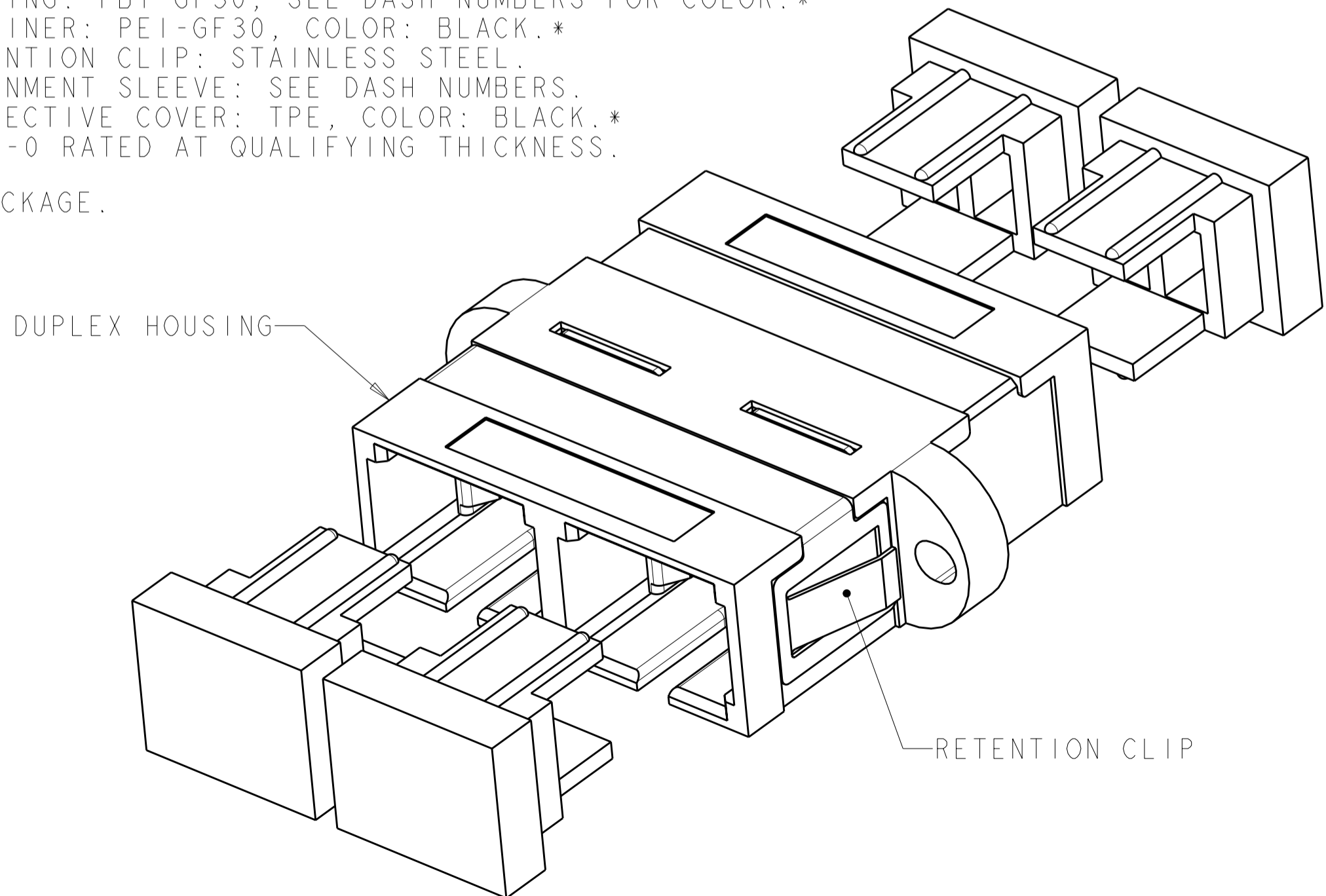


THIS DRAWING IS UNPUBLISHED. RELEASED FOR PUBLICATION 20
 © COPYRIGHT 20 BY TYCO ELECTRONICS CORPORATION. ALL RIGHTS RESERVED.

LOC	DIST	REVISIONS			
P	LTR	DESCRIPTION	DATE	DWN	APVD
CE	00				
	A	REV PER ECR-05-018829	10JAN2006	BB	SB
	B	REVISE PER ECR-08-000844	23JAN2008	BB	SM



- ① MATERIAL:
 HOUSING: PBT-GF30, SEE DASH NUMBERS FOR COLOR.*
 RETAINER: PEI-GF30, COLOR: BLACK.*
 RETENTION CLIP: STAINLESS STEEL.
 ALIGNMENT SLEEVE: SEE DASH NUMBERS.
 PROTECTIVE COVER: TPE, COLOR: BLACK.*
 *UL94 V-0 RATED AT QUALIFYING THICKNESS.
- ② BULK PACKAGE.



RETENTION CLIP	CERAMIC	AQUA	2-5502776-6
RETENTION CLIP	METAL	AQUA	2-5502776-5
RETENTION CLIP	CERAMIC	GREEN	2-5502776-3
NONE	CERAMIC	GREEN	2-5502776-2
RETENTION CLIP	METAL	BLACK	1-5502776-3
RETENTION CLIP	CERAMIC	BEIGE	1-5502776-2
RETENTION CLIP	CERAMIC	BLUE	1-5502776-1
RETENTION CLIP	CERAMIC	BLACK	1-5502776-0
RETENTION CLIP	METAL	BEIGE	5502776-9
RETENTION CLIP	METAL	BLUE	5502776-8
RETENTION CLIP	METAL	BLACK	5502776-7
INCLUDED HARDWARE	ALIGNMENT SLEEVE	COLOR	PART NUMBER

THIS DRAWING IS A CONTROLLED DOCUMENT FOR TYCO ELECTRONICS CORPORATION. IT IS SUBJECT TO CHANGE AND THE CONTROLLING ENGINEERING ORGANIZATION SHOULD BE CONTACTED FOR THE LATEST REVISION.

DIMENSIONS:	TOLERANCES UNLESS OTHERWISE SPECIFIED:	DWN	B. BRIGGS	13MAY2005	Tyco Electronics Harrisburg, PA 17105-3608	
mm	0 PLC ± 1 PLC ±0.1 2 PLC ±0.05 3 PLC ± 4 PLC ±	CHK	S. MILLER	13MAY2005		
	ANGLES ±	APVD	S. BUCHTER	13MAY2005		
MATERIAL	FINISH	PRODUCT SPEC	NAME			
①	-	APPLICATION SPEC	RECEPTACLE ASSEMBLY, DUPLEX, AMP SC TO SC			
		WEIGHT	SIZE	CAGE CODE	DRAWING NO	RESTRICTED TO
		-	A2	00779	C-5502776	-
CUSTOMER DRAWING			SCALE	4:1	SHEET	OF
					1	REV
						B